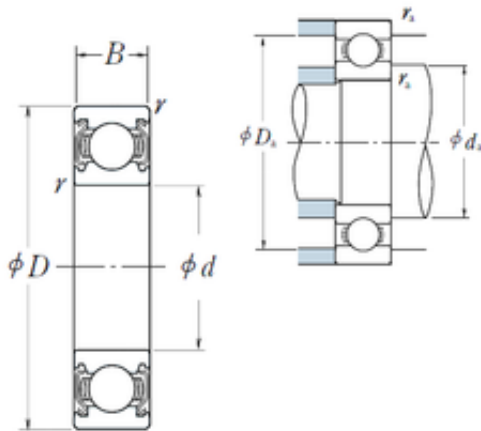




BEARING PRECISION AXLE CORP.



NSK 6901zz Deep Groove Ball Bearings 6902zz,
6903zz, 6904zz, 6905zz

Bearing No. 6901zz

6901zz Bearing 2D drawings and 3D CAD models

Size	12x24x6 mm
Bore Diameter	12 mm
Outer Diameter	24 mm
Width	6 mm
d	12 mm
D	24 mm
B	6 mm
C	6 mm
r min.	0,3 mm
da min.	14 mm
da max	14,5 mm
Da max.	22 mm
ra max.	0,3 mm
Weight	0,01 Kg
Basic dynamic load rating (C)	2,89 kN
Basic static load rating (C0)	1,46 kN
(Grease) Lubrication Speed	30 000 r/min
Category	Single Row Ball Bearings
Inventory	0.0
Manufacturer Name	NSK
Minimum Buy Quantity	N/A
Weight / Kilogram	0.01
EAN	0029176026744
Product Group	B00308
Enclosure	2 Metal Shields



BEARING PRECISION AXLE CORP.

Precision Class	ABEC 1 ISO P0
Maximum Capacity / Filling Slot	No
Rolling Element	Ball Bearing
Snap Ring	No
Internal Special Features	No
Cage Material	Steel
Internal Clearance	C0-Medium
Inch - Metric	Metric
Long Description	12MM Bore; 24MM Outside Diameter; 6MM Outer Race Diameter; 2 Metal Shields; Ball Bearing; ABEC 1 ISO P0; No Filling Slot; No Snap Ring; No Internal Special Features
Category	Single Row Ball Bearing
UNSPSC	31171504
Harmonized Tariff Code	8482.10.50.68
Noun	Bearing
Keyword String	Ball
Manufacturer URL	http://www.nskamericas.com
Manufacturer Item Number	6901ZZ
Weight / LBS	0.013
Outside Diameter	0.945 Inch 24 Millimeter
Bore	0.472 Inch 12 Millimeter
Outer Race Width	0.236 Inch 6 Millimeter
bore diameter:	12 mm
static load capacity:	1460 N
outside diameter:	24 mm
precision rating:	ABEC 1 (ISO Class Normal)
overall width:	6 mm
finish/coating:	Uncoated



BEARING PRECISION AXLE CORP.

bore type:	Round
cage material:	Steel
closure type:	Double Shielded
outer ring width:	6 mm
row type & fill slot:	Single Row Non-Fill Slot
fillet radius:	0.3 mm
internal clearance:	C0
maximum rpm:	36000 RPM
operating temperature range:	-10 to +110 ° C
series:	69
dynamic load capacity:	2890 N
SRI	1.64
hidYobi	6901ZZ
LangID	1
D_	24
SREX	0.015
B_	6
da min	14
hidTable	ecat_NSRDGB
SRE	1.64
mass	0.01
GRS rpm	30000
ra	0.3
SRIX	0.015
D_a	22
SRIN	-0.015
C0	1.46
fo	14.5
SREN	-0.015
DE_	21.175
Prod_Type3	DGBB_SR_ZZ
DA_	3.175



BEARING PRECISION AXLE CORP.

bomp	0
Z_	10
yobi	6901ZZ
C_conv	2890
ALPHA_	0
SDM_	18
r	0.3
KBRG	6141
SBRG	19
DI_	14.825